

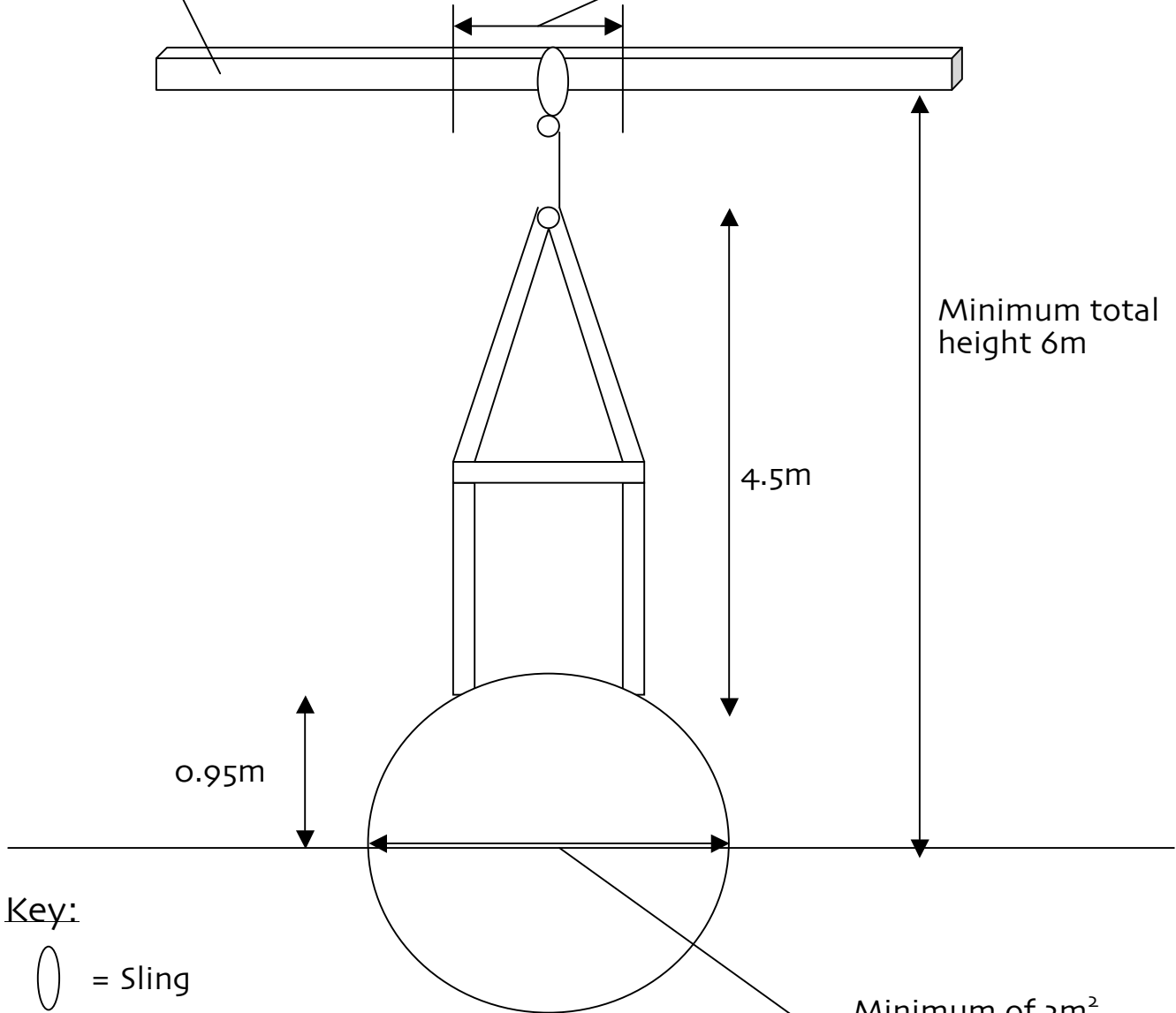
ESCAPE

Rigging Plan for static height strapeze act

Straight on view:

Strong rated beam able to take minimum of 1000Kg dynamic load

2m² Must be kept clear of lighting



Key:

○ = Sling

○ = Carabiner

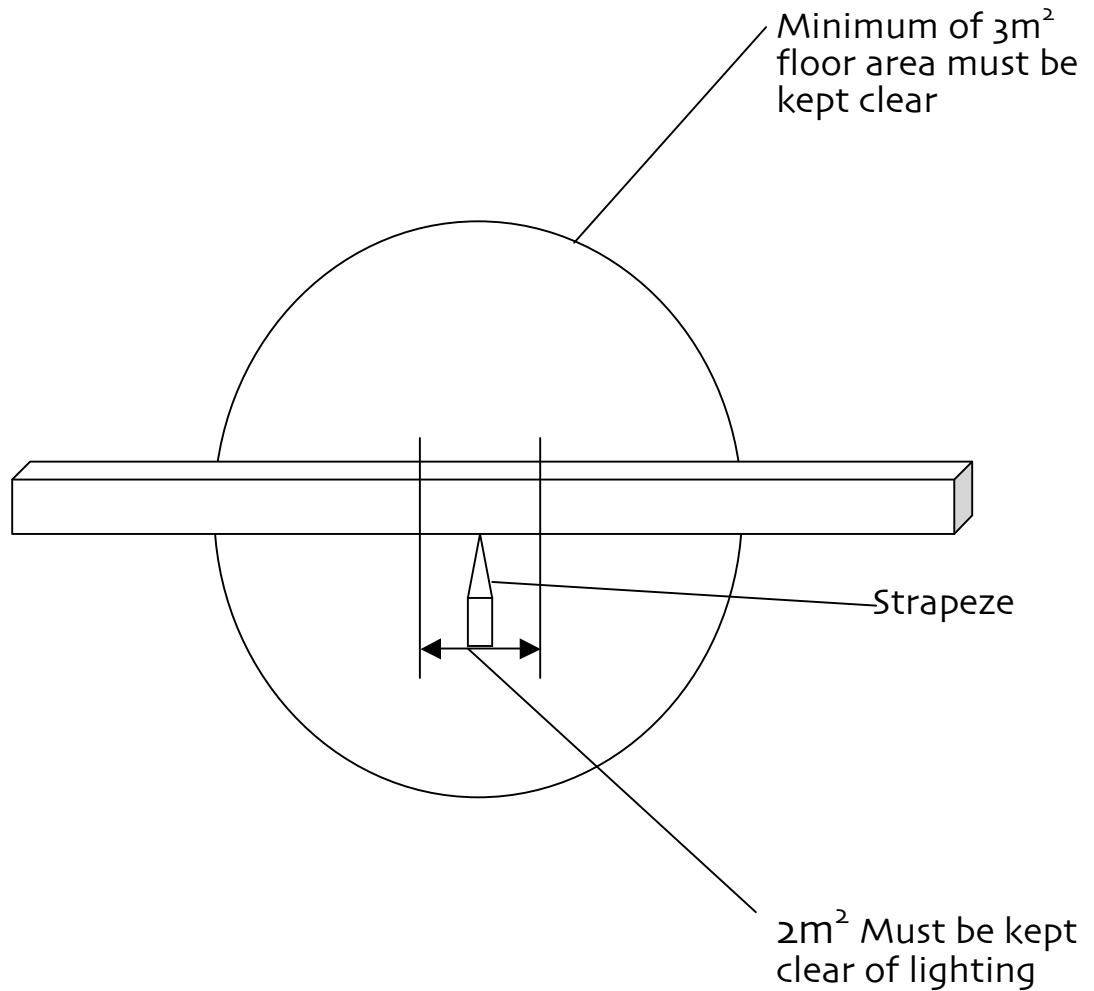
— = 10mm wire rope

Minimum of 3m² floor area must be kept clear

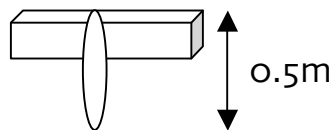
Greville Matthews
+44 (0)7875 507454
greville.matthews@gmail.com
www.grevillematthews.co.uk
@CircusGrev

ESCAPE

Aerial view



Working length



Greville Matthews
+44 (0)7875 507454
greville.matthews@gmail.com
www.grevillematthews.co.uk
@CircusGrev