

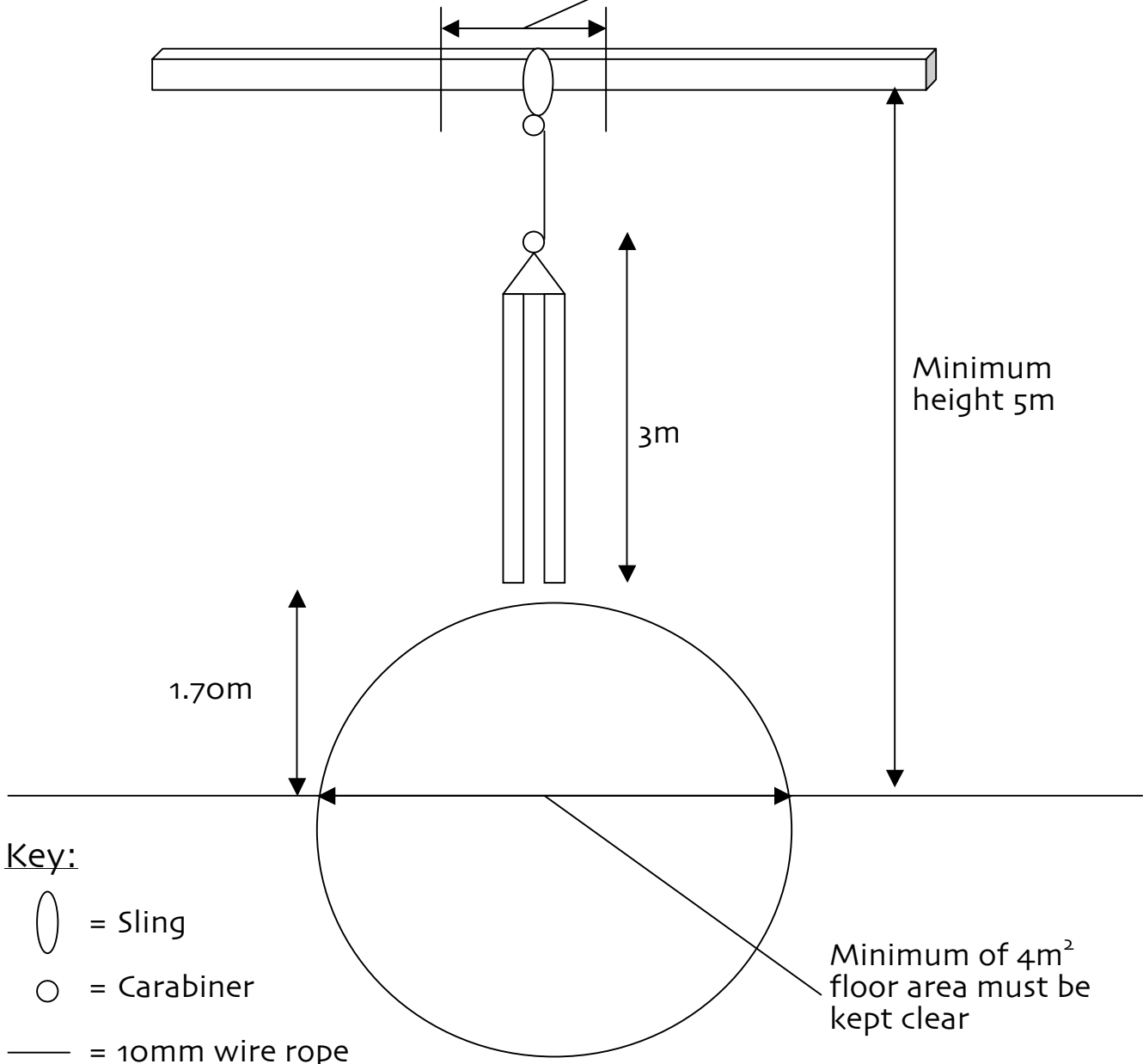
ICARUS

Rigging Plan for static height straps act

Straight on view:

Strong rated beam able to take minimum of 1000Kg dynamic load

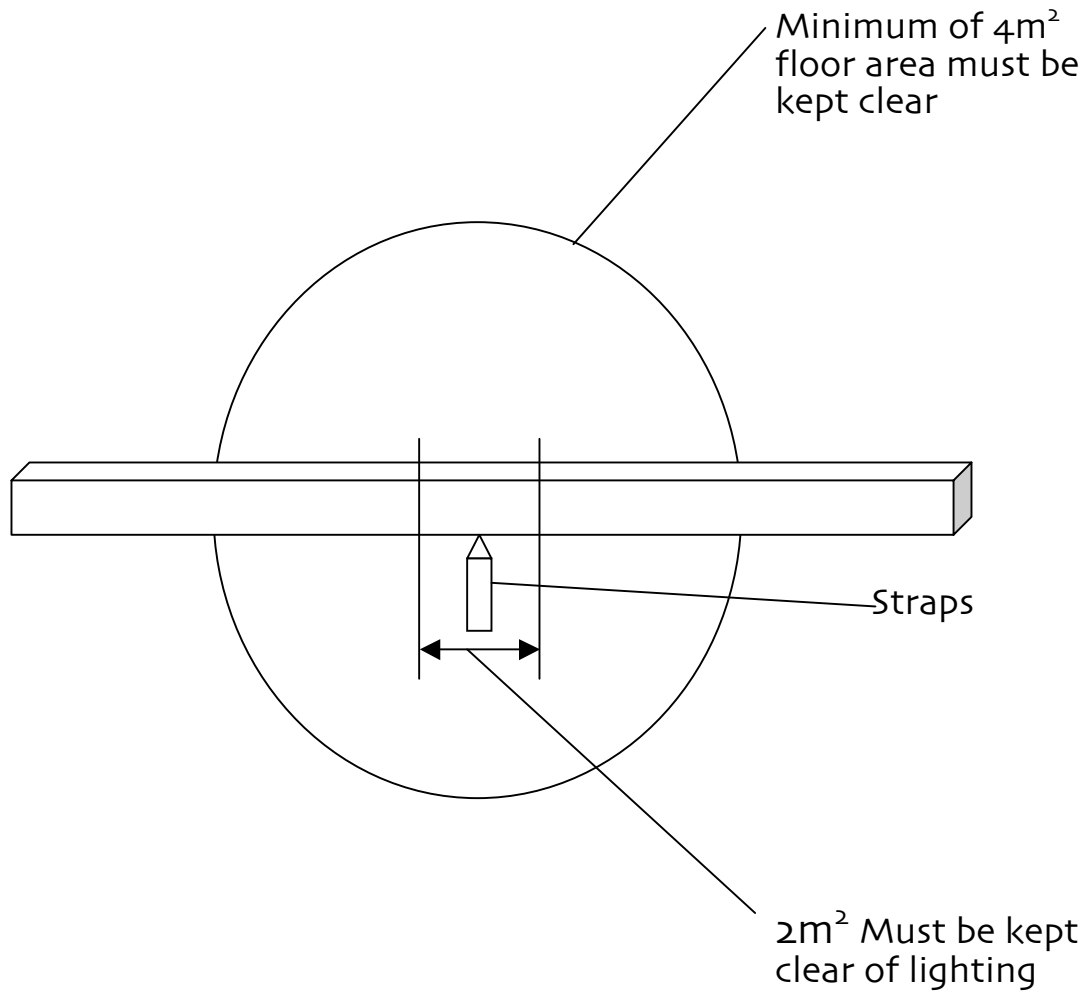
2m² Must be kept clear of lighting



Greville Matthews
+44 (0)7875 507454
greville.matthews@gmail.com
www.grevillematthews.co.uk
@CircusGrev

ICARUS

Aerial view



Working length

