

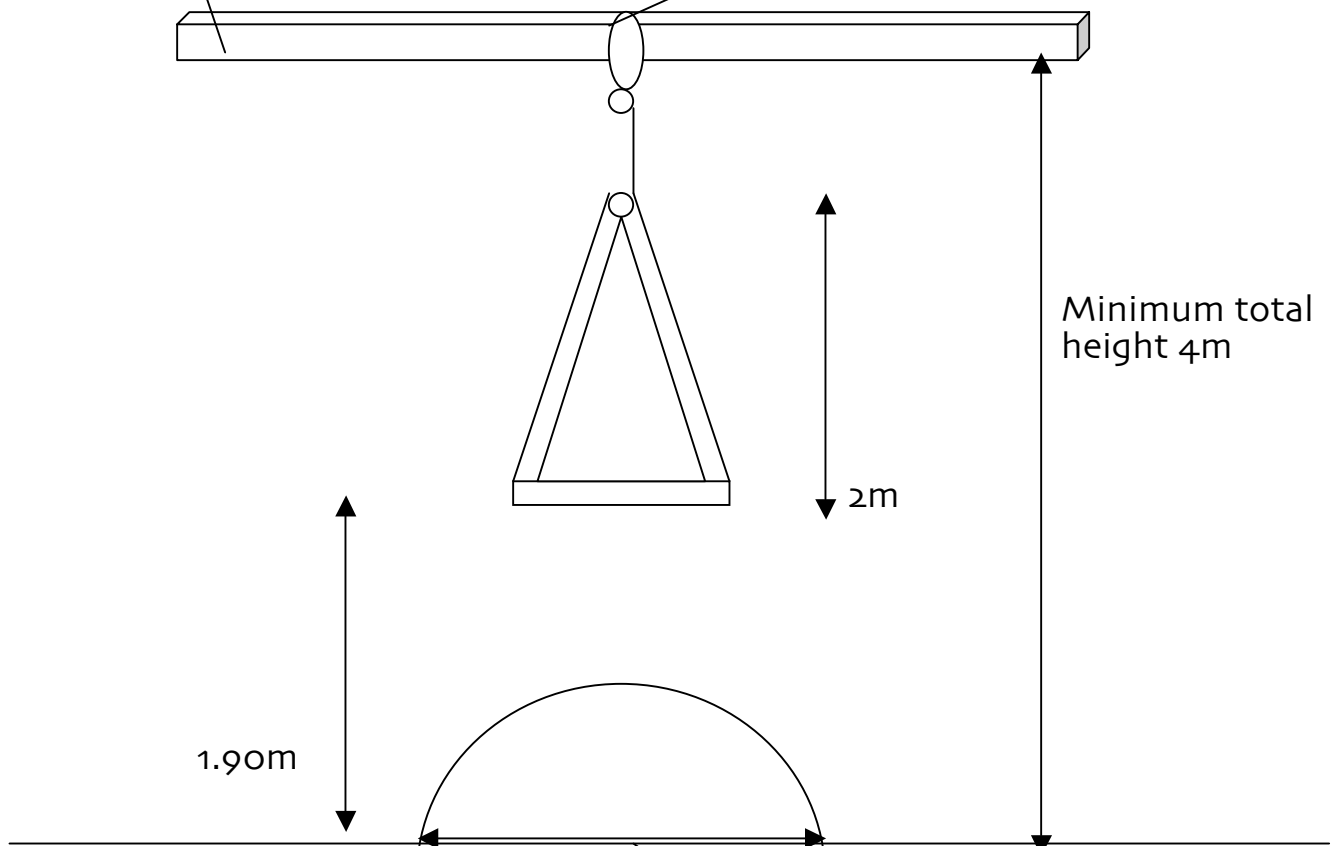
Robin Hood

Rigging Plan for static height single point trapeze act

Straight on view:

Strong rated beam able to take minimum of 1000Kg dynamic load

2m² Must be kept clear of lighting



Key:

○ = Sling

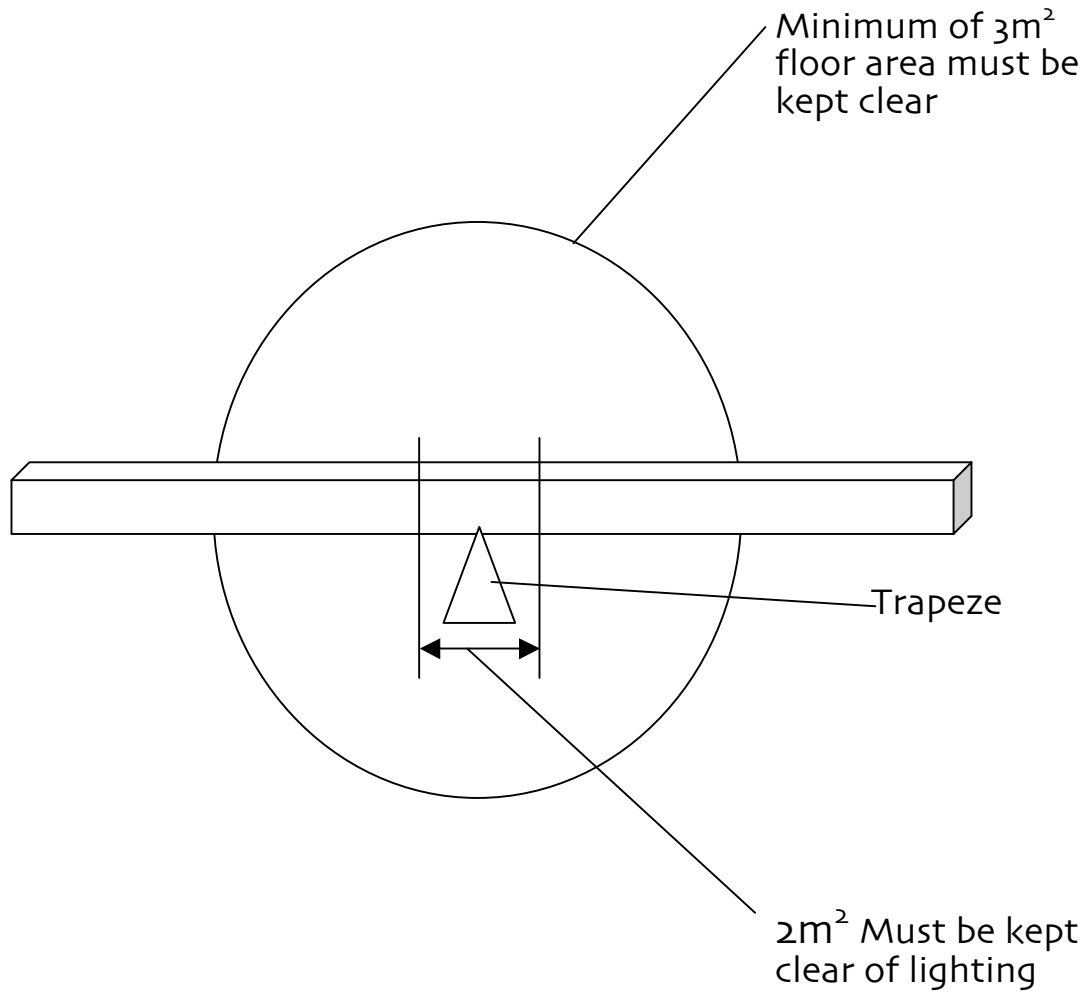
○ = Carabiner

— = 10mm wire rope

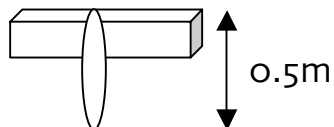
Minimum of 3m² floor area must be kept clear

Robin Hood

Aerial view



Working length



Greville Matthews
+44 (0)7875 507454
greville.matthews@gmail.com
www.grevillematthews.co.uk
@CircusGrev