

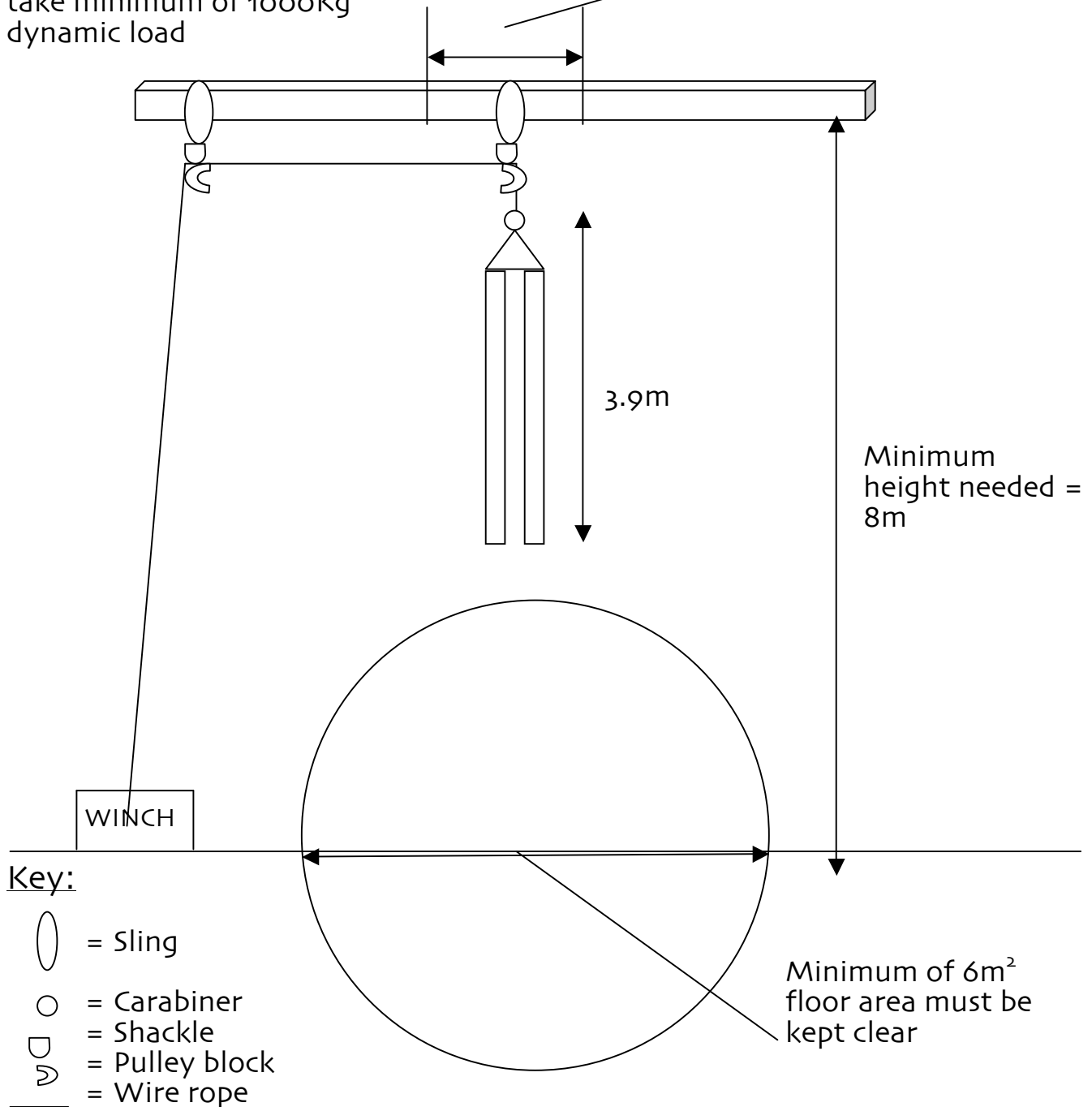
Tutankha-Whom?

Rigging Plan for straps with winch

Straight on view:

Strong rated beam able to take minimum of 1000Kg dynamic load

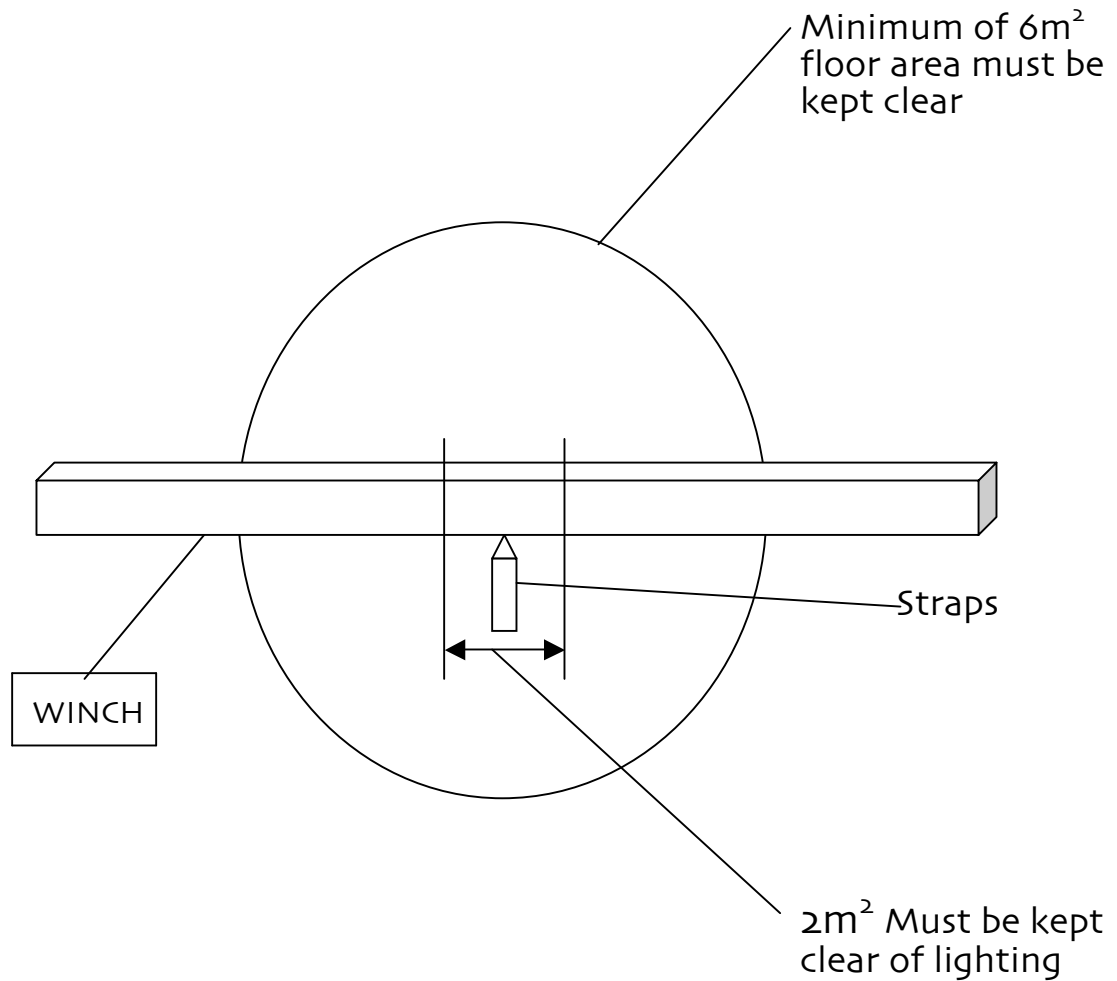
2m² Must be kept clear of lighting



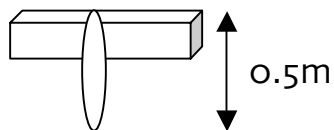
Greville Matthews
+44 (0)7875 507454
greville.matthews@gmail.com
www.grevillematthews.co.uk
@CircusGrev

Tutankha-Whom?

Aerial view



Working length



Greville Matthews
+44 (0)7875 507454
greville.matthews@gmail.com
www.grevillematthews.co.uk
@CircusGrev