

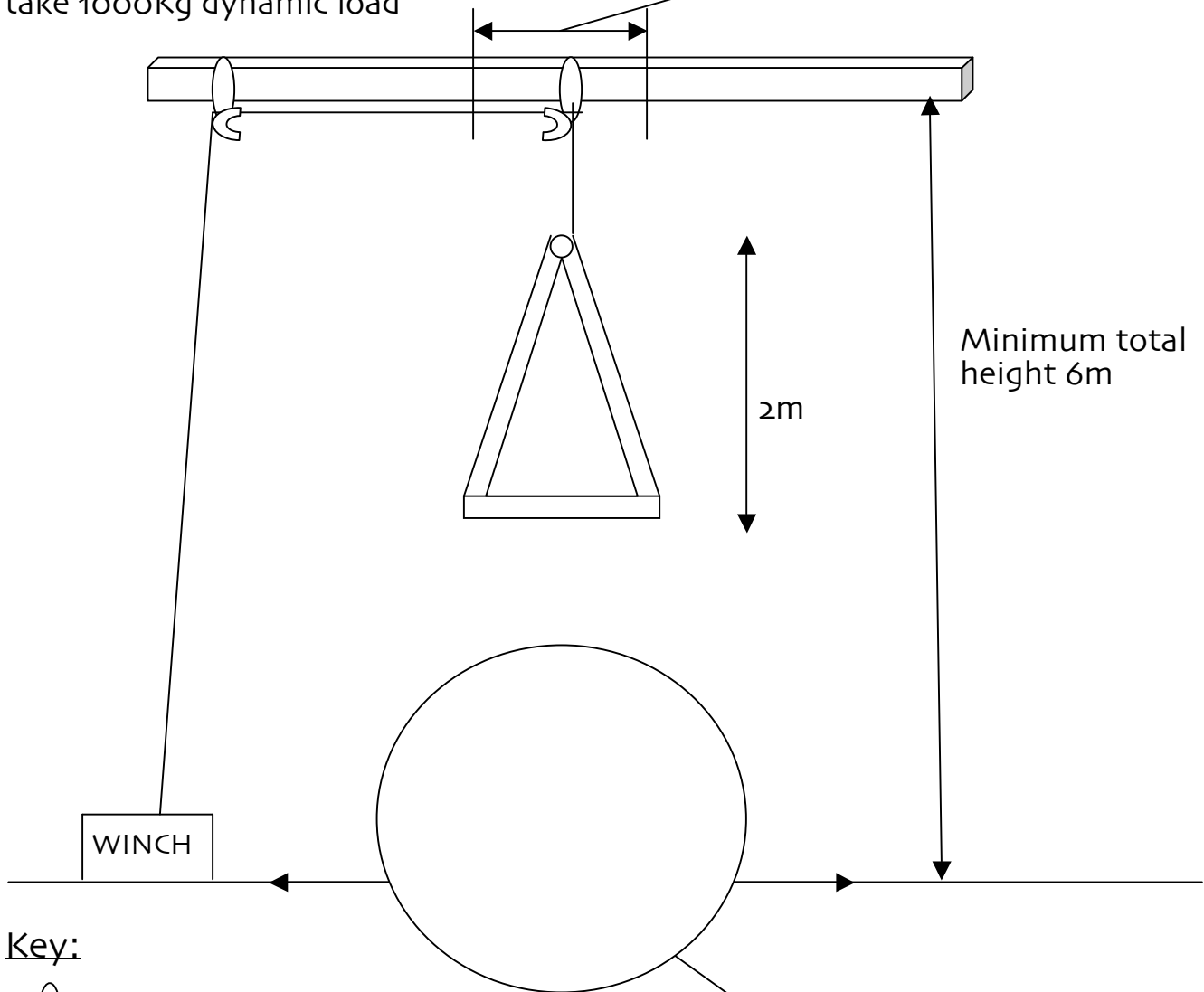
Robin Hood

Rigging Plan for trapeze with winch

Straight on view:

Strong rated beam able to take 1000Kg dynamic load

2m² Must be kept clear of lighting



Minimum total height 6m

2m

WINCH

Key:



= Strop



= Karabiner

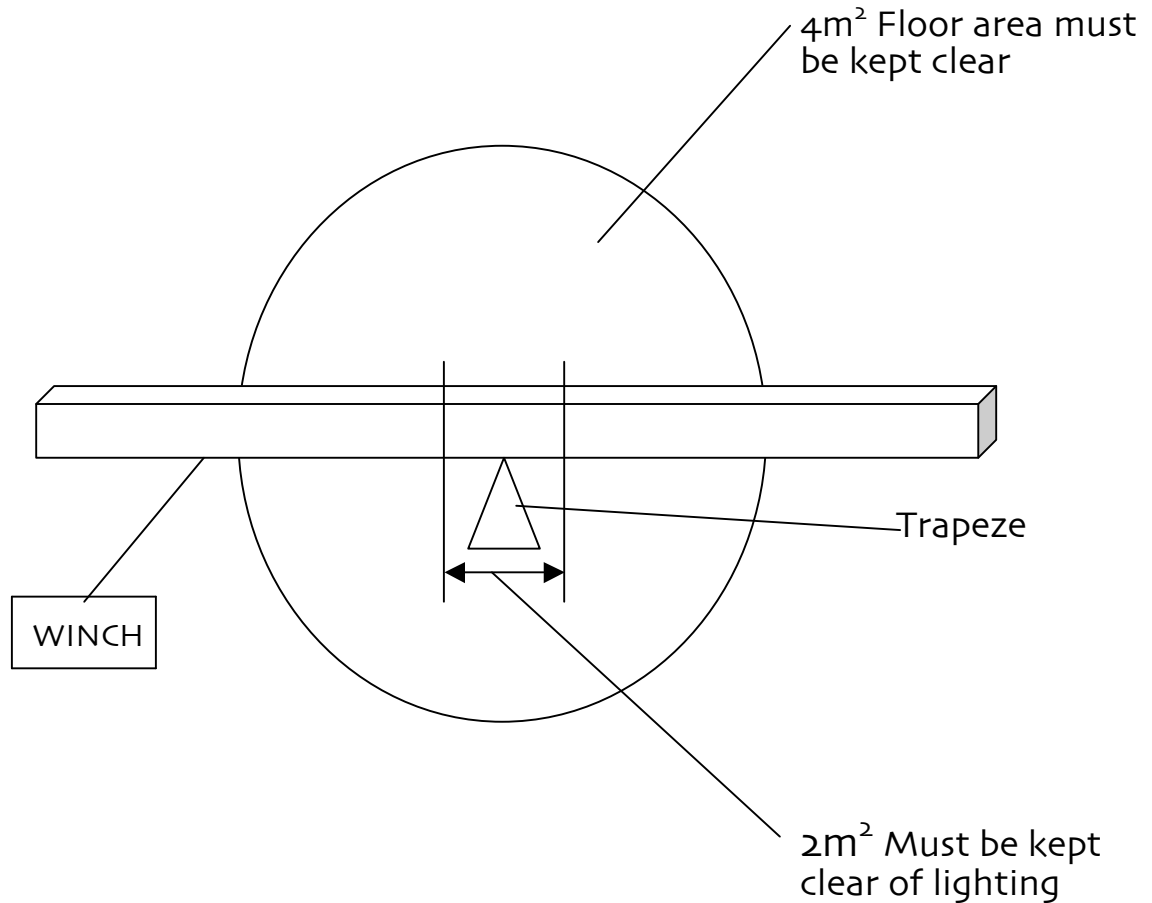


= Pulley block

4m² Floor area must be kept clear

Robin Hood

Aerial view



Working length

