

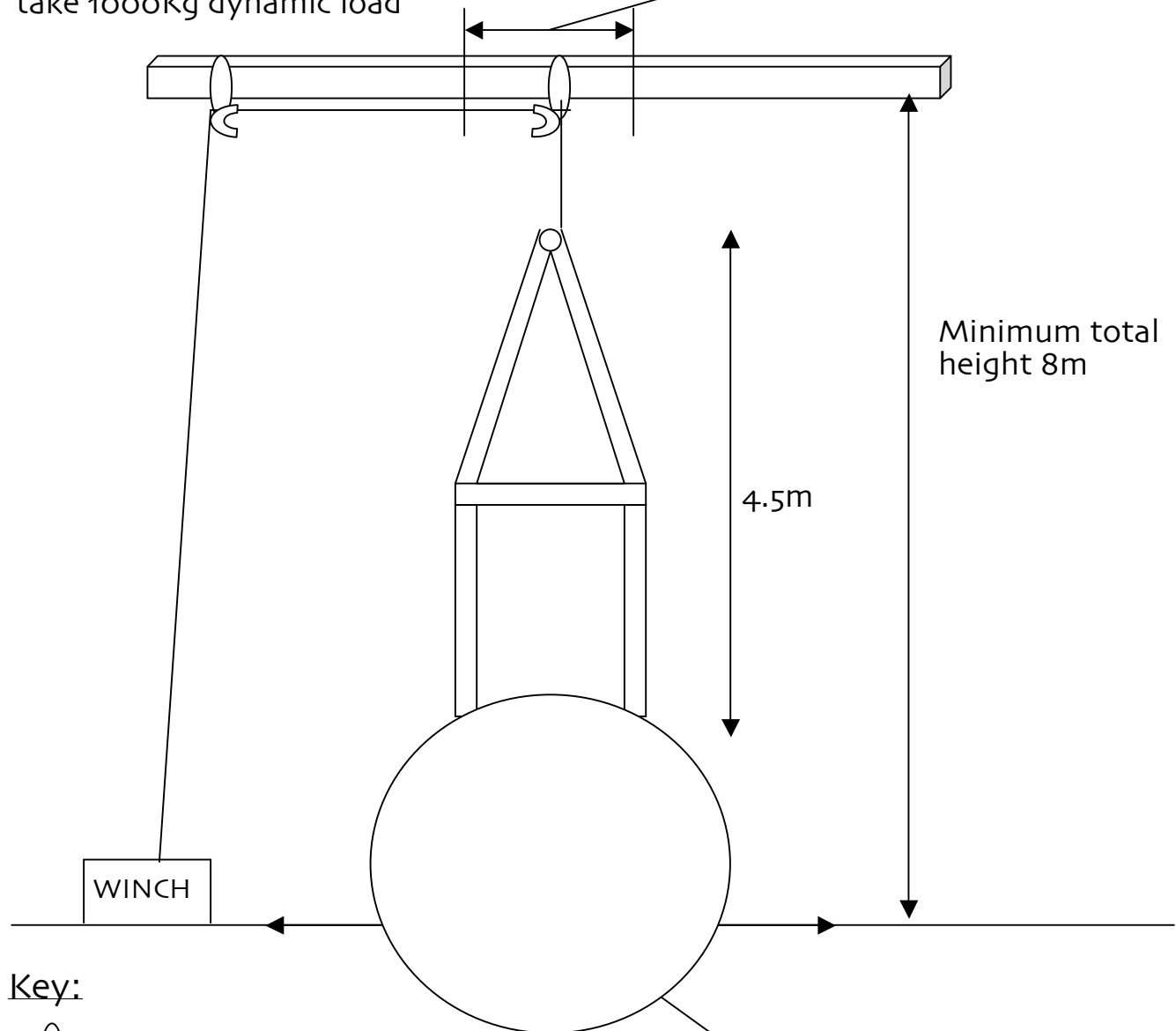
ESCAPE

Rigging Plan for strapeze with winch

Straight on view:

Strong rated beam able to take 1000Kg dynamic load

2m² Must be kept clear of lighting



Minimum total height 8m

4.5m

WINCH

Key:



= Strop



= Karabiner



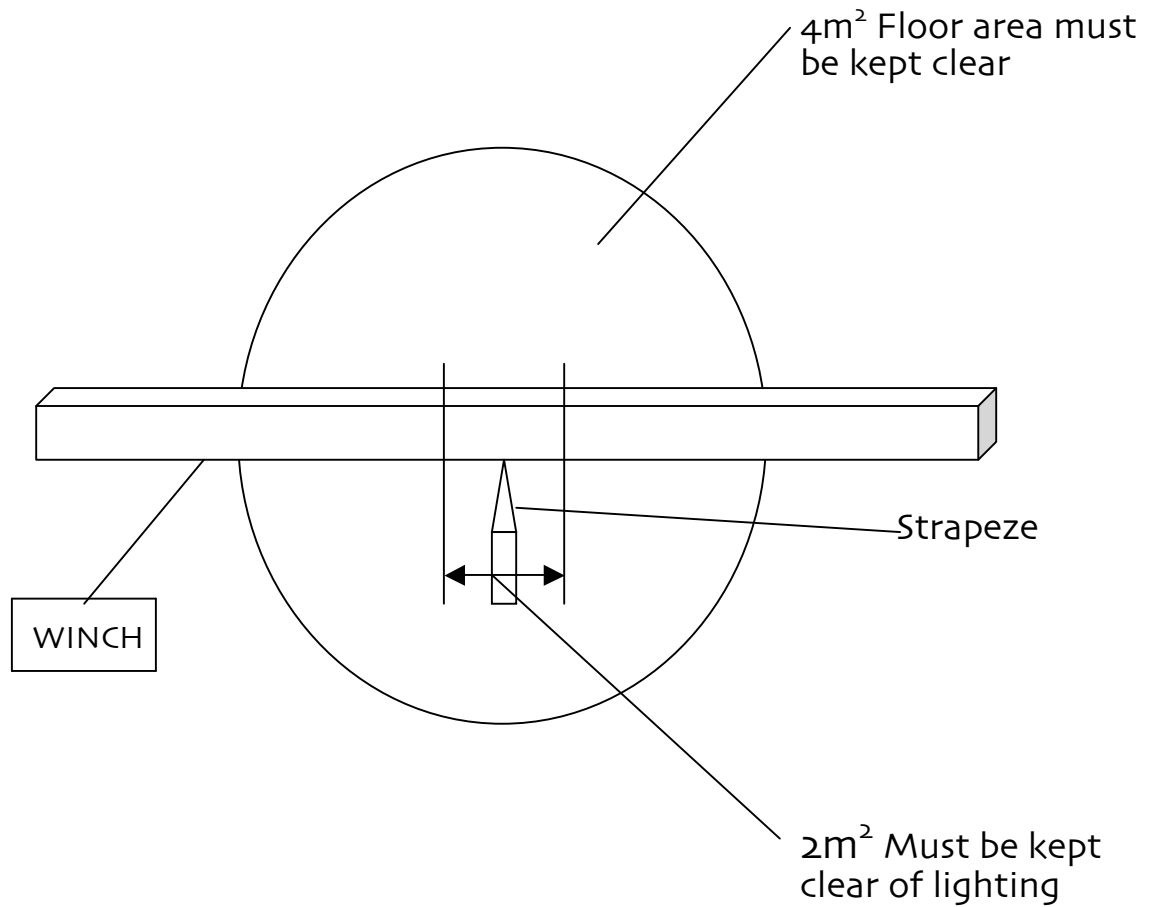
= Pulley block

4m² Floor area must be kept clear

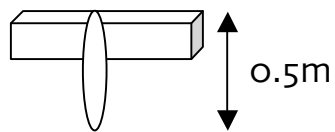
Greville Matthews
+44 (0)7875 507454
greville.matthews@gmail.com
www.grevillematthews.co.uk
@CircusGrev

ESCAPE

Aerial view



Working length



Greville Matthews
+44 (0)7875 507454
greville.matthews@gmail.com
www.grevillematthews.co.uk
@CircusGrev