

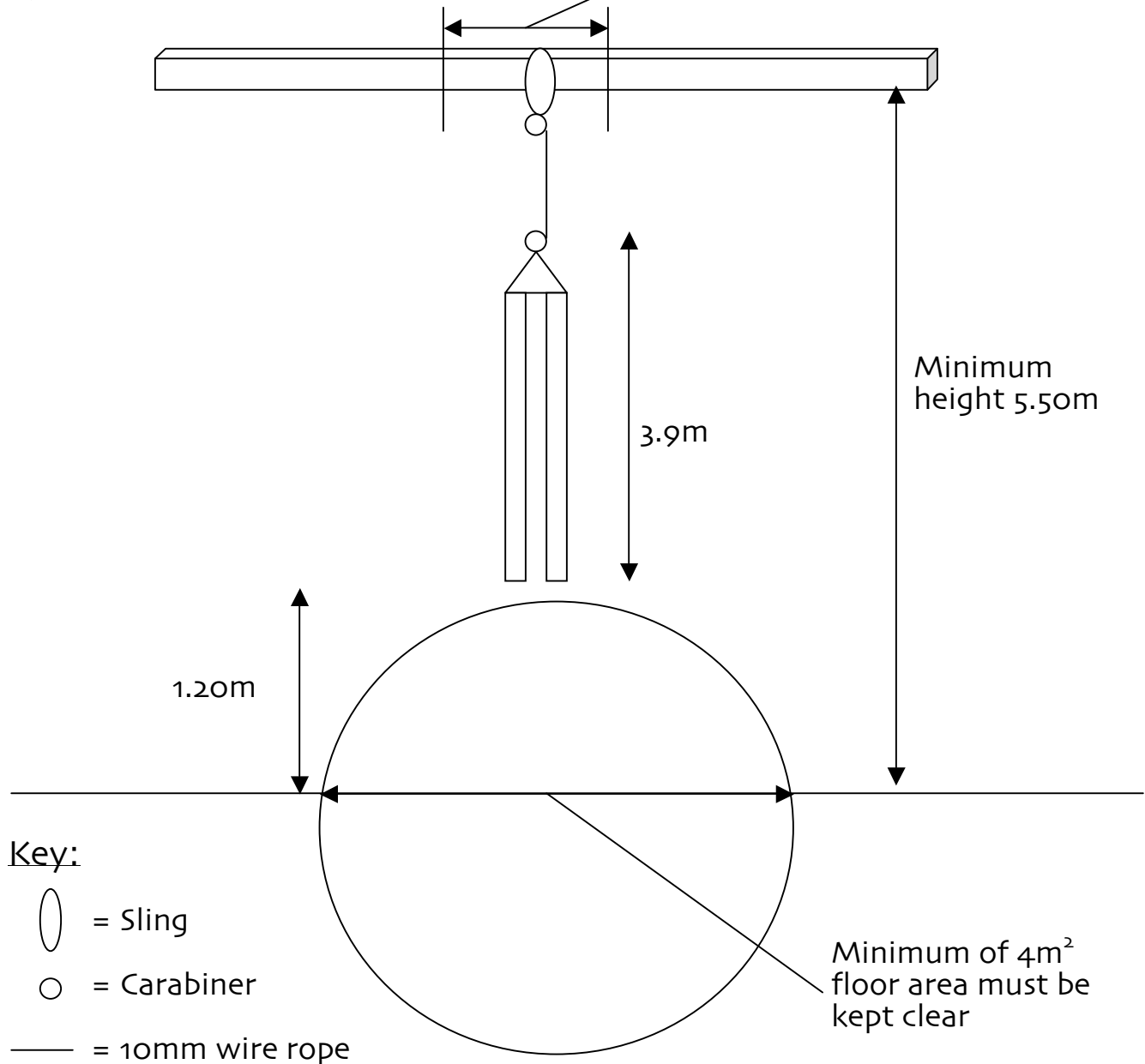
Permutation

Rigging Plan for static height straps act

Straight on view:

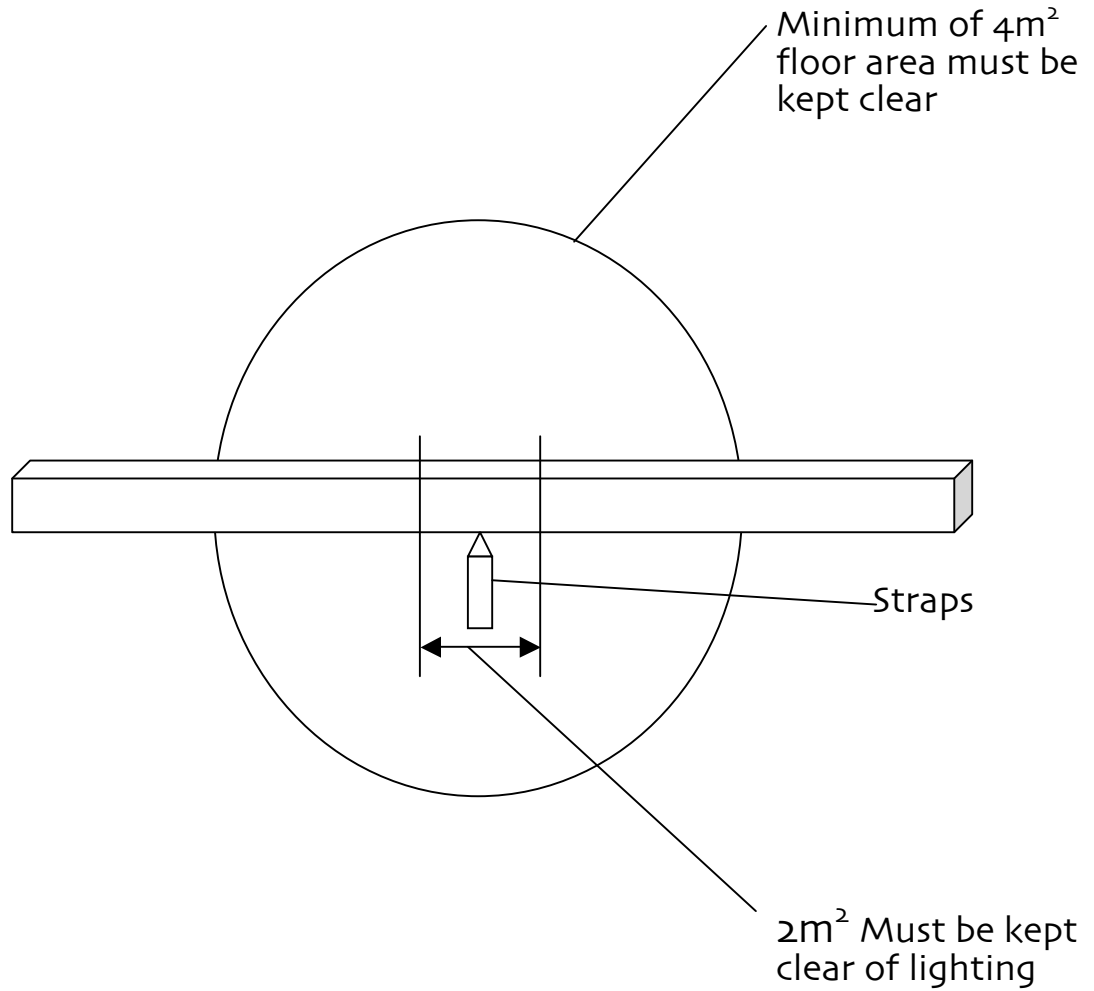
Strong rated beam able to take minimum of 1000Kg dynamic load

2m² Must be kept clear of lighting



Permutation

Aerial view



Working length

