

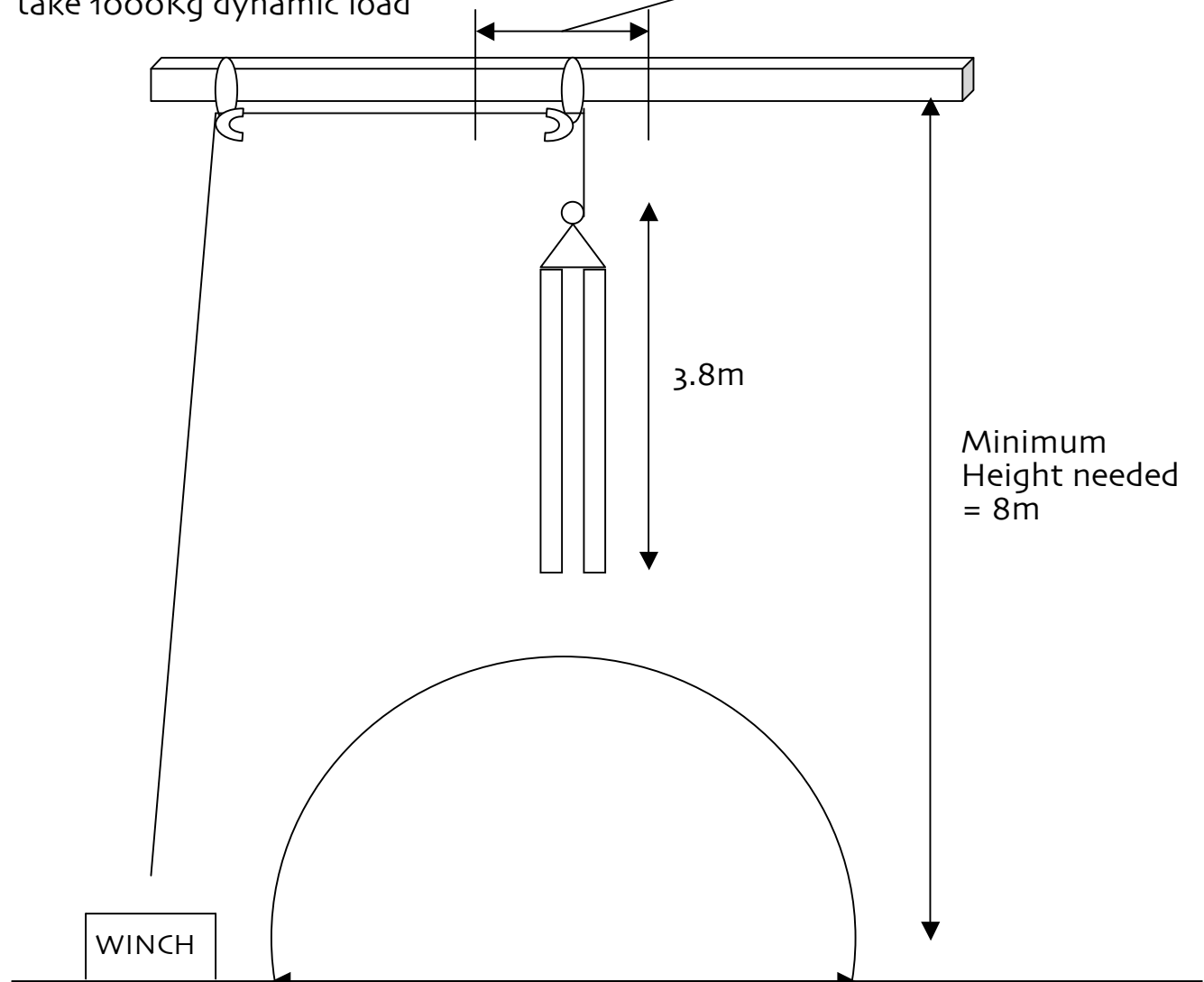
# For Whom The Bell Tolls

## Rigging Plan for straps with winch

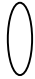


Straight on view:

Strong rated beam able to take 1000Kg dynamic load

2m<sup>2</sup> Must be kept clear of lighting



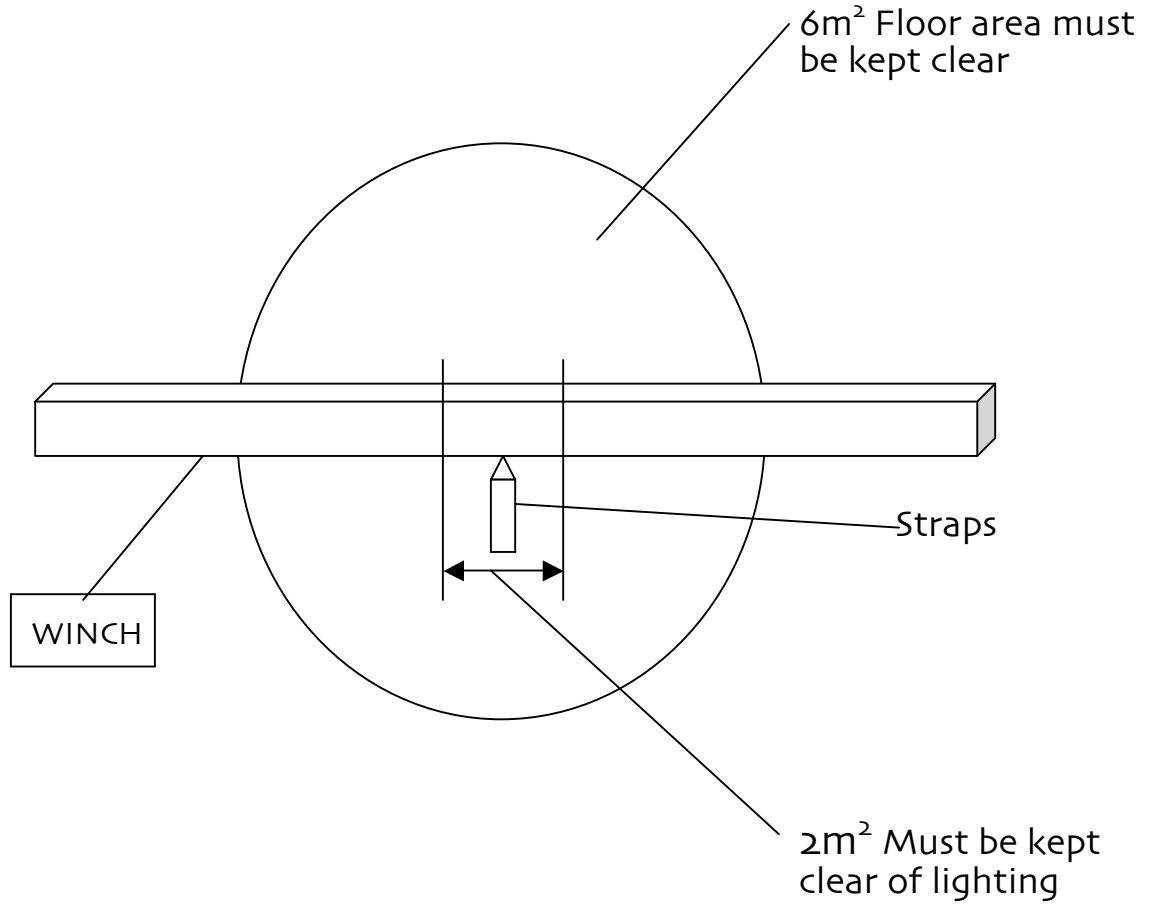
Key:

-  = Strap
-  = Karabiner
-  = Pulley block

Greville Matthews  
+44 (0)7875 507454  
[greville.matthews@gmail.com](mailto:greville.matthews@gmail.com)  
[www.grevillematthews.co.uk](http://www.grevillematthews.co.uk)

# For Whom The Bell Tolls

Aerial view



Working length

